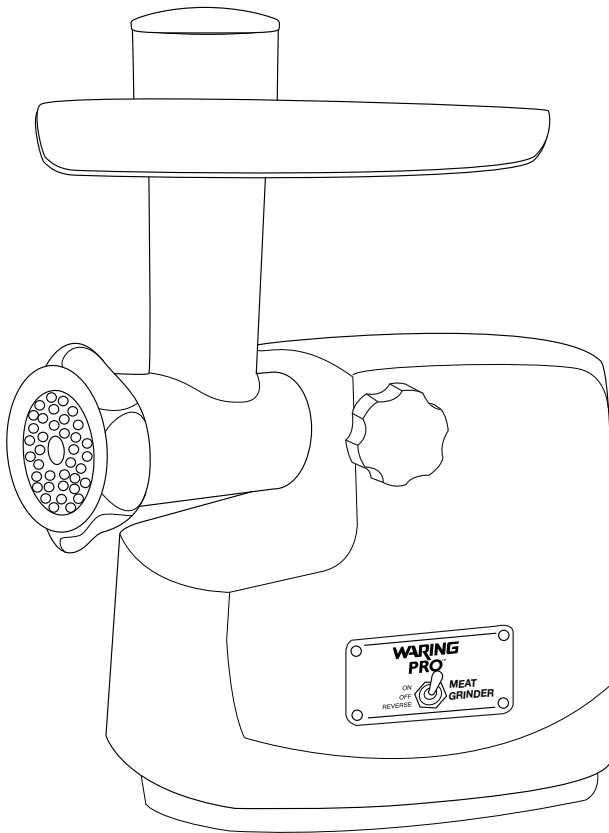


WARING PRO[®]

PROFESSIONAL MEAT GRINDER



MG855

For your safety and continued enjoyment of this product,
always read the instruction book carefully before using.

IMPORTANT SAFEGUARDS

When using electrical appliances, basic safety precautions should always be followed, including the following.

1. **READ ALL INSTRUCTIONS.**
2. **Unplug from outlet when not in use, before putting on or taking off parts, and before cleaning.**
3. To protect against risk of electrical shock, do not put appliance in water or other liquids.
4. Close supervision is necessary when any appliance is used by or near children. This appliance is not recommended for use by children.
5. Avoid contact with moving parts.
6. Never put the unit near a hot burner, in an oven, or in a dishwasher.
7. Do not operate the meat grinder, or any other electrical equipment, with a damaged cord or plug, or after the appliance malfunctions or is dropped or damaged in any manner. Return to the nearest authorized service center for examination, repair, or adjustment.
8. **NEVER FEED FOOD BY HAND; ALWAYS USE THE PUSHER.** Keep hands, hair, clothing and utensils away from moving discs during operation to reduce the risk of personal injury and/or damage to the meat grinder.
9. Do not use outdoors, or use for other than intended use.
10. **Warning:** The cutting blade is sharp; handle with care, both when using and when cleaning.
11. Do not let cord hang over edge of table or counter, contact sharp edges, or touch hot surfaces.
12. Do not pull on the power cord to disconnect.
13. Never plug in the appliance where water may flood the area.
14. Place the appliance on a firm and stable surface.
15. **NEVER PUT YOUR FINGERS NEAR THE FOOD CHUTE WHILE GRINDER IS IN OPERATION.**
16. Ensure that the appliance is not placed close to the edge of the table, worktop, etc., where it can be pushed off or fall.
17. The use of attachments not recommended or sold by the manufacturer may cause fire, electric shock or injury.
18. Never use abrasive cleaning agents or abrasive cloths when cleaning the unit.
19. Do not use fingers to scrape food away from cutting blade while appliance is in operation. Injury may result.
20. Use the unit only when it is completely assembled.
21. Do not leave the meat grinder unattended while it is running.
22. Before using for the first time, remove all packaging and wash parts.

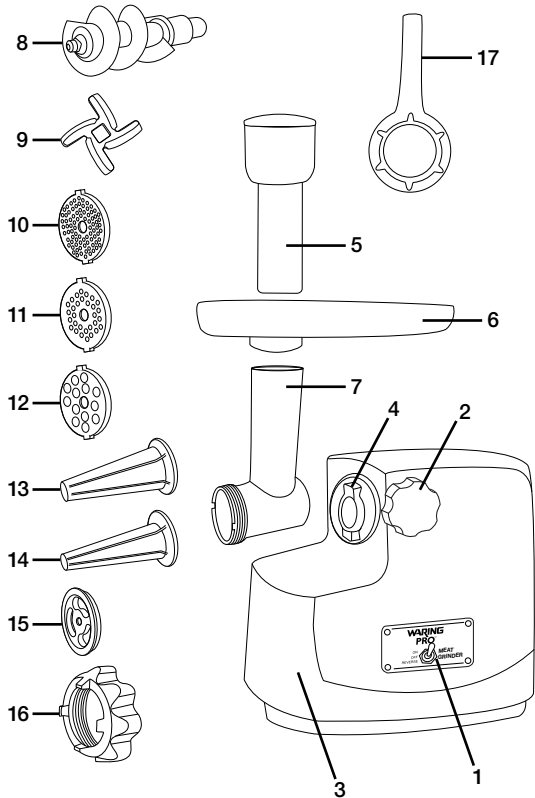
23. This appliance has a polarized plug (one blade is wider than the other). To reduce the risk of electric shock, this plug will fit in a polarized outlet only one way. If the plug does not fit the outlet perfectly, reverse the plug. If it should still not fit, contact a qualified electrician. Do not modify the plug in any way.
24. Do not operate your appliance in an appliance garage or under a wall cabinet. **When storing in an appliance garage, always unplug the unit from the electrical outlet.** Not doing so could create a risk of fire, especially if the appliance touches the walls of the garage or the door touches the unit as it closes.

FOR HOUSEHOLD USE ONLY

SAVE THESE INSTRUCTIONS

PARTS

1. On/Off/Reverse Switch
2. Locking Knob
3. Motor Housing
4. Attachment Opening
5. Food Pusher with Lid
6. Large Die-Cast Hopper
7. Grinder/Feeder Head
8. Feed Screw
9. Cutting Blade
10. Cutting Plate (fine)
11. Cutting Plate (medium)
12. Cutting Plate (coarse)
13. Sausage Attachment (large)
14. Sausage Attachment (small)
15. Sausage-Making Ring
16. Screw Ring
17. Spanner



ASSEMBLING

1. Make sure unit is unplugged while assembling.
2. Place grinder/feeder head tightly into attachment opening. Holding head with one hand, place locking knob into the hole on the side of the motor housing and tighten knob by turning clockwise.
3. Place feed screw into grinder/feeder head, long end spindle first; turn it slightly until it is set into motor housing.
4. **NOTE:** Position cutting blade onto feed screw shaft with the flat cutting surface facing out from the feed screw. If it is not fitted properly, meat will not be ground and the cutting plate may be permanently damaged.
5. Position the desired cutting plate onto the flat sides of the cutting blade. Ensure that the notch of the cutting plate fits into the tab of the grinder/feeder head.
6. Secure screw ring to the end of the grinder/feeder head by turning clockwise. Use spanner to secure screw ring.
7. Place large die-cast hopper on the grinder/feeder head.
8. Use the food pusher to gently feed food, one piece at a time. Do not force the food into the grinder/feeder head.

HOW TO USE

1. Before first use, wash all parts of the meat grinder.
2. Place the meat grinder on a stable work surface.
3. Make sure the On/Off/Reverse switch is in the Off position.
4. Insert plug into wall outlet.
5. Place a wide, shallow bowl or plate beneath the grinder tube to catch food.
6. Switch appliance to On position. The meat grinder must ALWAYS be on before adding food.
7. Place food on the large die-cast hopper and use pusher to feed food through opening.

NOTE – REVERSE SWITCH

If the motor slows or stops, this may be due to jammed food. Immediately switch the meat grinder to its Off position. To clear the feed screw, pulse the meat grinder in the reverse direction by pressing the switch down and releasing it quickly three times. Then, turn the meat grinder on again. If the meat grinder should get jammed again, you may need to switch it off, unplug, disassemble the grinder/feeder head, and clean the internal parts.

CUTTING PLATES

Fine Cutting Plate – Great for spreads, patés, baby food, and hamburgers

Medium Cutting Plate – Great for ground meat used in soups, or for relishes

Coarse Cutting Plate – Great for ground meat used in chili, or for vegetables

THESE PLATES ARE NOT DISHWASHER-SAFE. PLEASE HAND-WASH ONLY!

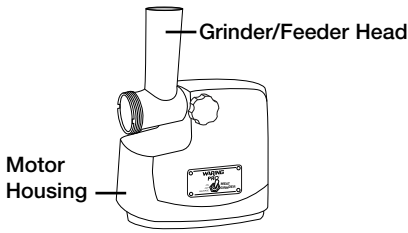
HELPFUL HINTS

- Grinding stale bread pieces may help remove food residue left in the meat grinder after use.
- Cut food into strips or cubes slightly smaller than the opening on the large die-cast hopper.
- Make sure food is free of bone, tough tendon, nutshells, etc. before grinding.
- Raw meat and fish should be thoroughly chilled (not frozen) before grinding to reduce the loss of juices. Freshly ground meat should be refrigerated and cooked within 24 hours.
- During extended grinding, fats from meats can build up inside the grinder tube, slowing down grinding and straining the motor. If this happens, you should stop the meat grinder, wash parts in hot water, and reassemble. When possible, alternate bread with meat. This helps keep the feed screw clean.
- Trim a handful of fat from meat. Process the fat through the hopper to lubricate grinding mechanism for better processing results.
- For best drying results, prepare sausage a day or two prior to use.
- When using the large sausage attachment, it is not necessary to use the sausage-making ring (See page 2, part #15).

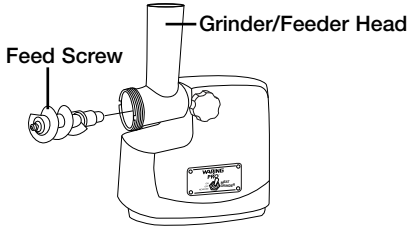
TO MAKE SAUSAGES

The sausage attachments allow you to blend meats and spices for homemade sausages.

- If you have purchased dry casings, they must be soaked in cold water, or a mixture of 2 cups water and 1 tablespoon of vinegar, until they become soft and pliable. Soak for approximately 1 hour, changing water 3 times to rinse off salt.
- Meats should be cut into cubes that will fit through the large die-cast hopper opening and mixed with seasonings before making sausages.

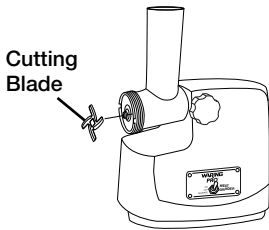


1. Assemble grinder/feeder head to motor housing.

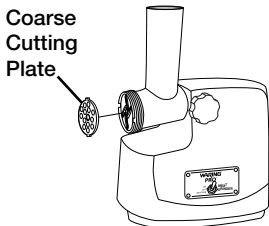


2. Insert feed screw into the grinder/feeder head.

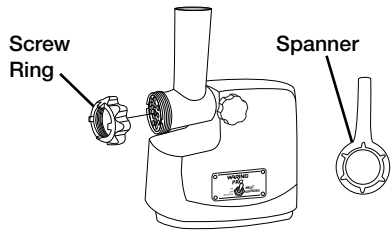
NOTE: Make sure feed screw is inserted all the way in or cutting blade will not fit.



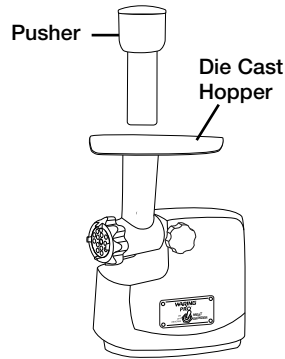
3. Assemble cutting blade on the end of the feed screw with flat cutting surface facing away from the feed screw.



4. Place the coarse cutting plate in the grinder/feeder head.

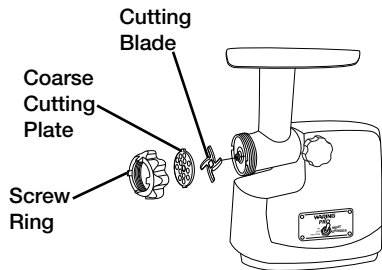


5. Tighten screw ring onto the grinder/feeder head. Use spanner to secure screw ring.

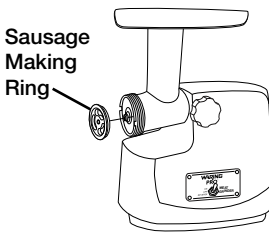


6. Place large die-cast hopper onto grinder/feeder head.
7. Turn unit on.
8. Using pusher, slowly feed meat cubes.

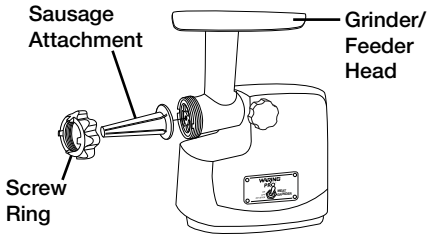
NOTE: Meats can be seasoned before or after grinding.



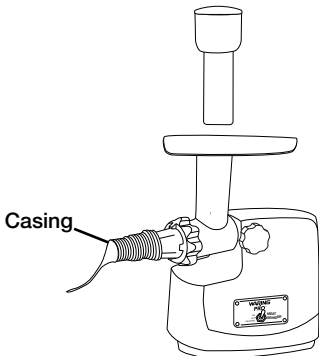
9. Once meat has gone through grinder, turn unit off. Remove screw ring, coarse cutting plate and cutting blade.



10. Insert sausage-making ring into feed screw. Make sure notch on sausage making ring aligns with notch in feed screw.



11. Put the desired sausage attachment (small or large) into screw ring and screw onto the grinder/feeder head. Use spanner to secure screw ring.



12. Slide casing over the end of the sausage attachment, leaving approximately 2" overhanging the end of the attachment.

13. Place seasoned meat into the large die-cast hopper and turn the unit on. Using pusher, push the meat into the opening in the large die-cast hopper using pusher until the mixture appears at the end of the sausage attachment. Keep casing moist by watering frequently. Turn the unit off and tie a knot at the end of the 2" casing overhang.

14. Continue step 13 until all the meat has been used or the casing is approximately 2" from being completely full.

15. Turn unit off. Remove the end of the casing from the sausage attachment, and tie a knot in the open end of the casing.

16. Sausages can be made to the desired length by twisting the casing at intervals.

NOTE: To avoid over-stretching and splitting the casing, do not make the sausages too thick. Keep casings moist by watering frequently. The meat mixture will expand slightly during cooking.

CLEANING AND MAINTENANCE

- Always unplug motor unit when not in use, before inserting or removing parts, and before cleaning.
- Never immerse power unit in water or other liquids.
- Wash all parts except motor unit in hot soapy water, using care when handling the sharp blades.
- Rinse these parts with clear hot water, then dry.
REMOVABLE PARTS ARE NOT DISHWASHER SAFE!
- Wipe motor unit with a damp cloth. Do not use harsh or abrasive cleaners.
- Cutting blade and cutting plate should be coated with cooking oil after washing and then wrapped in grease-proof paper to keep them lubricated and rust-free.
- Any other servicing should be performed by an authorized service representative.
- NOTE – Pusher has a lid; you can store sausage attachments and sausage-making ring inside.

RECIPES

Italian Fennel Sausage

Makes 4 pounds of sausage

- 4** pounds pork butt
- 6** garlic cloves, peeled and minced
- 1/4** cup Italian parsley leaves, packed
- 1 1/2** tablespoons fennel seeds, crushed
- 1/2** tablespoon oregano
- 2** teaspoons kosher salt
- 2** teaspoons freshly ground pepper

Remove any gristle from meat. Cut into 1-inch cubes. Place meat in a large bowl and combine with remaining ingredients. Cover and refrigerate for at least 8 and up to 24 hours for best flavor.

Assemble meat grinder with fine or medium cutting plate. Grind meat. Assemble unit for sausage making (follow “To make sausages” instructions on page 5). Stuff sausage into prepared casings, form into patties or leave loose as needed. Fresh sausage should be cooked within 24 hours or double wrapped and frozen. Cook thoroughly before serving – internal temperature should register 160°F when tested with an instant-read thermometer.

Nutritional information per suggested 4 oz. serving:

*Calories 183 (48% from fat) • carb. 1g • pro. 22g • fat 9g • sat. fat 3g
chol. 73mg • sod. 244mg • calc. 39mg • fiber 0g*

Chicken, Feta & Spinach Sausage

Makes 5 pounds of sausage

- 3 pounds boneless, skinless chicken thighs**
- 1 pound boneless, skinless chicken breasts**
- 8 ounces crumbled feta cheese**
- 4 garlic cloves, peeled and minced**
- 1 tablespoon oregano**
- 2 teaspoons basil**
- 1 teaspoon chopped lemon zest**
- 2 teaspoons kosher salt**
- 1 teaspoon freshly ground black pepper**
- 1/2 teaspoon red pepper flakes**
- 4 ounces fresh spinach, shredded/chopped**

Remove gristle, cartilage and large amounts of excess fat from the chicken; cut into 1-inch cubes. Place chicken in a large bowl. Add feta cheese, garlic, oregano, basil, lemon zest, salt, pepper, and pepper flakes to chicken. Stir to combine. Mixture can be ground immediately, or covered and refrigerated for up to 24 hours for a more intense flavor. Just before grinding, stir shredded spinach into chicken mixture.

Assemble meat grinder with the medium cutting plate. Grind chicken mixture with the medium cutting plate of the meat grinder. Assemble unit for sausage making (follow “To make sausages” instructions on page 5). Sausage may be stuffed into prepared casings or shaped into patties for cooking. Fresh sausage should be cooked within 24 hours or double wrapped and frozen. Cook thoroughly before serving – internal temperature should register 170°F when tested with an instant-read thermometer.

Nutritional information per suggested 4 oz. serving:

*Calories 213 (46% from fat) • carb. 1g • pro. 27g • fat 11g • sat. fat 4g
chol. 94mg • sod. 341mg • calc. 81mg • fiber 0g*

Andouille Sausage

With its distinctly smoky flavor, traditional andouille sausage is a staple of Cajun cookery and an important ingredient in jambalayas and gumbos. The unsmoked version is made in smaller links and is known as andouillette.

Makes 3 pounds

- 3 pounds boneless pork butt (may use half pork and half turkey for a lighter sausage)**
- 4 – 6 large cloves garlic, peeled and minced**
- 1 teaspoon browning sauce such as Gravy Master®**
- 2 teaspoons kosher salt**
- 2 tablespoons sweet paprika**

- 1/2 –1 tablespoon cayenne pepper, to taste**
- 1 tablespoon onion powder**
- 2 teaspoons dry thyme**
- 1/2 teaspoon freshly ground black pepper**
- 1/2 teaspoon crushed red pepper**
- 1/2 teaspoon rubbed sage**
- 1/8 teaspoon allspice**

Remove any gristle from meat. Cut into 1-inch cubes. Place meat in a large bowl and combine with remaining ingredients. Cover and refrigerate for at least 12 and up to 24 hours for best flavor.

Assemble meat grinder with medium or large cutting plate. Assemble unit for sausage making (follow “To make sausages” instructions on page 5). Grind meats. Stuff sausage into prepared casings, tying off links into desired lengths. Sausage may then be smoked in a homestyle smoker. Recommended smoking temperature is 175° to 200°F, and smoking time should be 4 to 6 hours. Suggested woods for smoking andouille are pecan or hickory. Cook thoroughly before serving – internal temperature should register 160°F when tested with an instant-read thermometer. The andouille may then be used as is, sliced thinly as an hors d’oeuvre, or as an ingredient in jambalaya, gumbo or other Cajun dish. Smoked andouille may be frozen.

Nutritional information per suggested 4 oz. serving:
Calories 339 (66% from fat) • carb. 2g • pro. 27g • fat 24g • sat. fat 9g
chol. 68mg • sod. 300mg • calc. 25mg • fiber 0g

Spicy Venison Sausage

Adding some pork butt makes the sausage a little moister, or you may use all venison if you wish.

Makes 4 pounds

- 3 pounds venison**
- 1 pound pork butt**
- 1 garlic clove, peeled and minced**
- 1 1/2 tablespoons kosher salt**
- 1 1/2 tablespoons freshly ground pepper**
- 2 teaspoons sweet paprika**
- 1 teaspoon honey**
- 1 teaspoon cayenne pepper**
- 1/2 teaspoon rubbed sage**
- 1/2 teaspoon savory**

Remove any visible gristle from meat. Cut meats into 1-inch cubes. Place meats in a large bowl and add the remaining ingredients. Stir well to combine. Cover and refrigerate for at least 8 and up to 24 hours.

Assemble meat grinder with the medium cutting plate. Grind meat, mixing venison and pork evenly while grinding. Assemble unit for

making sausages (follow "To Make Sausages" instructions on page 5). Ground sausage may be stuffed into prepared casings or formed into patties. Fresh sausage should be cooked within 24 hours or double wrapped and frozen. Cook thoroughly before serving – internal temperature should register 160°F when tested with an instant-read thermometer. Venison sausage may also be smoked in a homestyle smoker. Use wood flavor of your choice – suggestions would include hickory or mesquite. Recommended smoking temperature is 175° to 200°F, and smoking time should be 4 to 6 hours. Cook or smoke sausage thoroughly before serving – internal temperature should register 160°F when tested with an instant-read thermometer.

Nutritional information per suggested 4 oz. serving:
Calories 1170 (33% from fat) • carb. 1g • pro. 27g • fat 6g • sat. fat 2g
chol. 97mg • sod. 431mg • calc. 14mg • fiber 0g

Country Breakfast Sausage

Pork is paired with turkey to make this breakfast favorite a little lighter.

Makes 4 pounds sausage

- 2 pounds boneless, skinless turkey thighs**
- 2 pounds boneless pork butt**
- 1 tablespoon browning sauce, such as Gravy Master®**
- 1 teaspoon kosher salt**
- 1½ tablespoons rubbed sage**
- 2 teaspoons freshly ground black pepper**
- 1 teaspoon crushed red pepper, optional**

Remove any visible gristle from meat. Cut turkey and pork into 1-inch cubes. Place meats in a large bowl and add the remaining ingredients. Stir well to combine. Cover and refrigerate for at least 8 and up to 24 hours.

Assemble meat grinder with the medium cutting plate. Grind meat, mixing turkey and pork evenly while grinding. Assemble unit for sausage making (follow "To make sausages" instructions on page 5). Ground sausage may be stuffed into prepared casings or formed into patties. Fresh sausage should be cooked within 24 hours or double wrapped and frozen. Cook thoroughly before serving – internal temperature should register 170°F when tested with an instant-read thermometer.

Nutritional information per suggested 4oz. serving:
Calories 225 (45% from fat) • carb. 0g • pro. 30g • fat 11g • sat. fat 4g
chol. 94mg • sod. 173mg • calc. 14mg • fiber 0g

Trademarks or service marks of third parties used herein
are the property of their respective owners.

©2011 Waring Consumer Products
150 Milford Rd.
East Windsor, NJ 08520

www.waringpro.com
Printed in China

MG855 IB
11WR122847

IB-10765